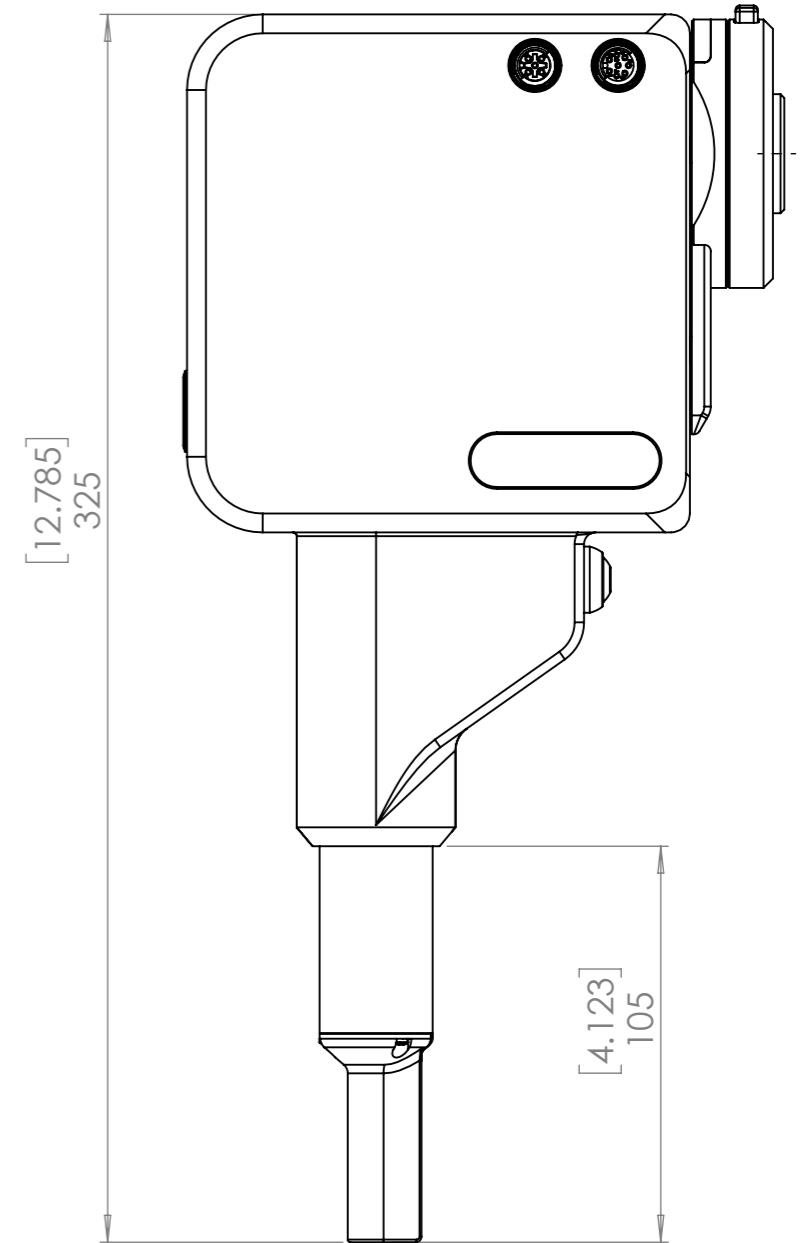
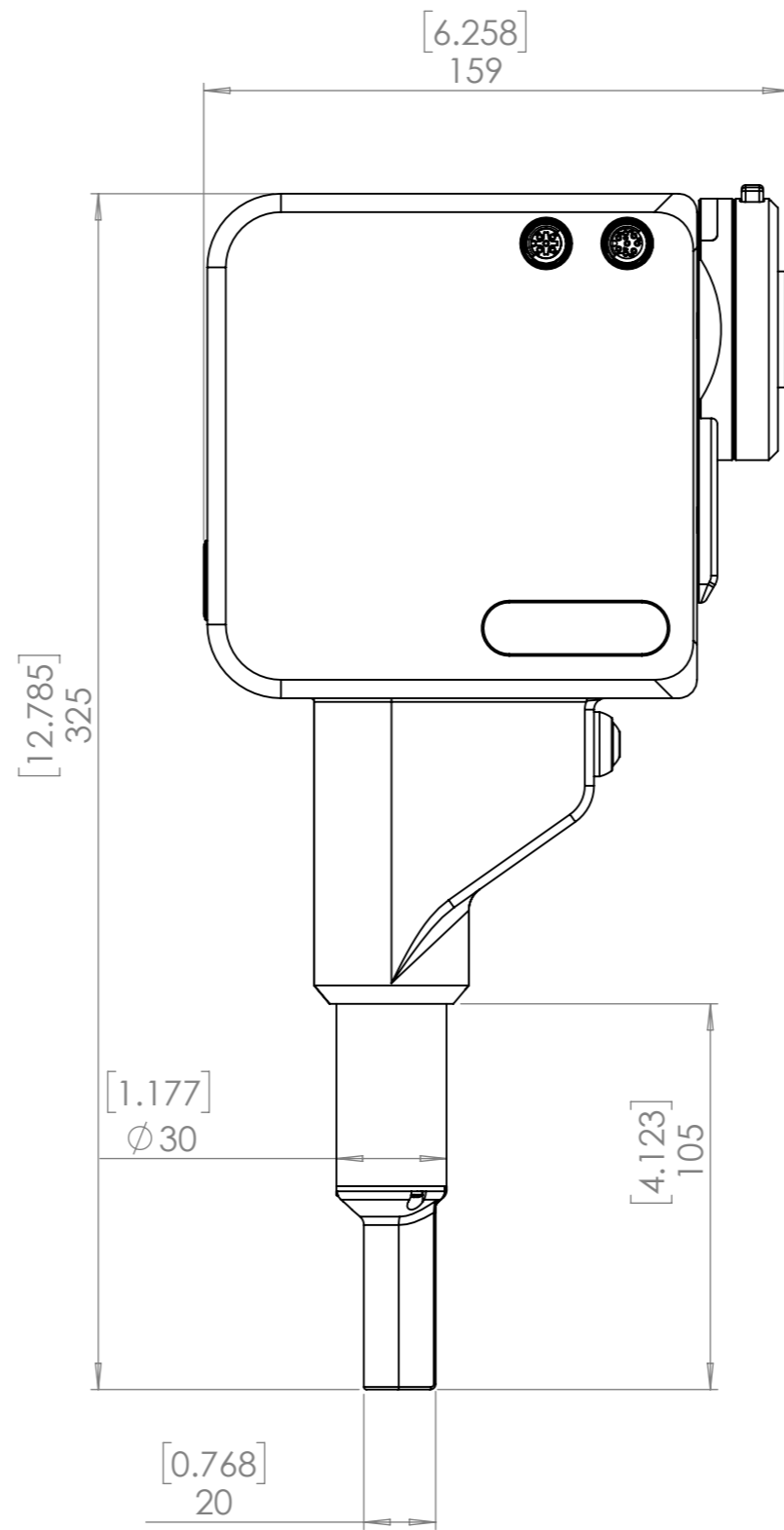
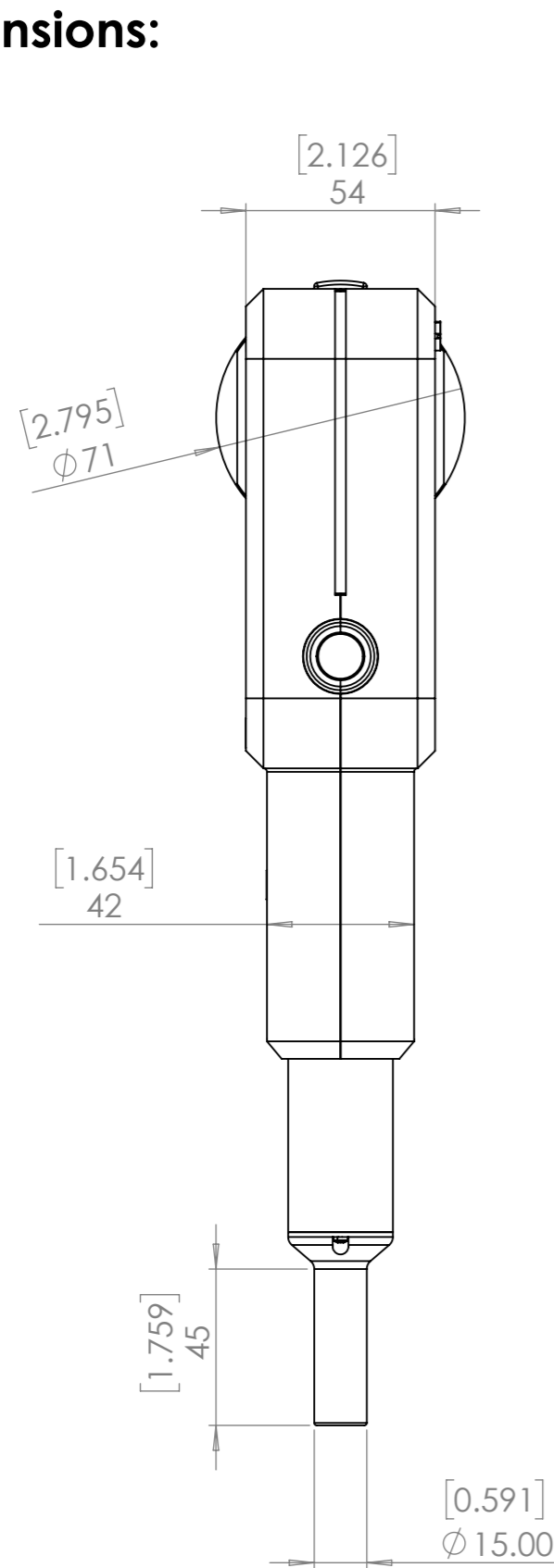


Dimensions:



UNLESS OTHERWISE SPECIFIED:
DIMENSIONS ARE IN MILLIMETERS
TOLERANCES: DIN ISO 2768 mk

	MATERIAL:
SHEET 2 OF 4	SURFACE FINISH:
SCALE:1:5	DESCRIPTION:
REVISION:	DWG NO. SD35 V1.0
SHEET FORMAT: A3	
DATE: 12/01/2022	

