
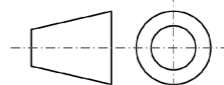
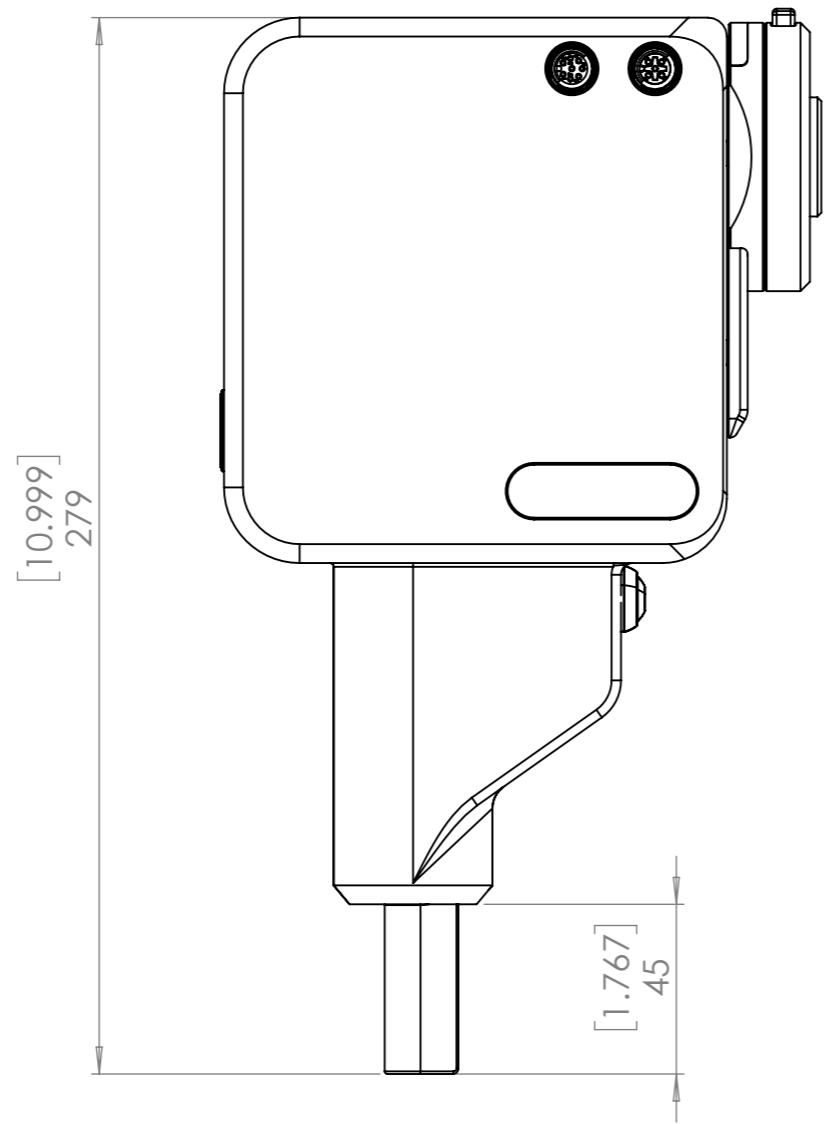



	MATERIAL:
SHEET 1 OF 2	SURFACE FINISH:
SCALE:1:5	DESCRIPTION:
REVISION:	DWG NO. SD70 V1.0
SHEET FORMAT: A3	
DATE: 12/01/2022	





UNLESS OTHERWISE SPECIFIED:
 DIMENSIONS ARE IN MILLIMETERS
 TOLERANCES: DIN ISO 2768 mk

	MATERIAL:
SHEET 2 OF 2	SURFACE FINISH:
SCALE:1:5	DESCRIPTION:
REVISION:	DWG NO. SD70 V1.0
SHEET FORMAT: A3	
DATE: 12/01/2022	
