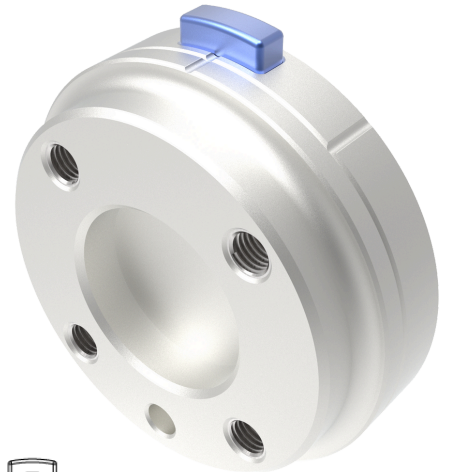
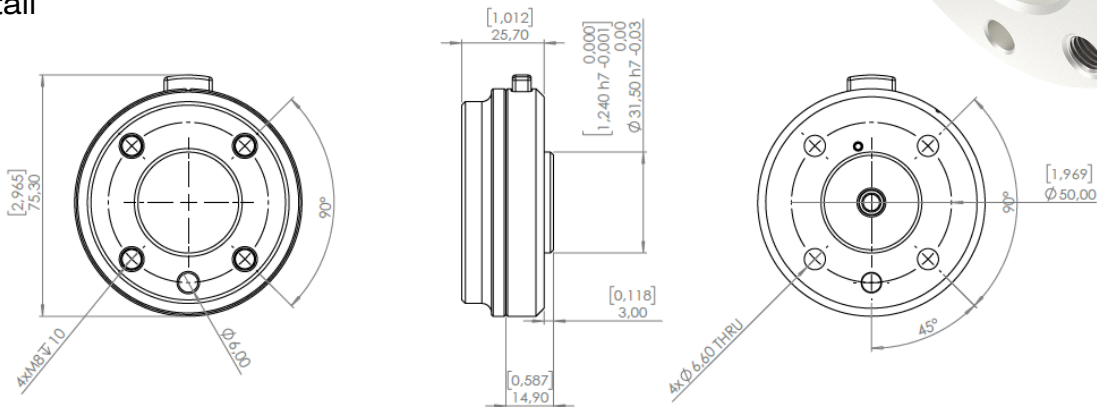


Spin Mount Datasheet

With the SpinMount from Spin Robotics you can easily switch between End-Of-Arm Tools and optimize your assembly processes. The SpinMount is a flexible tool changer made for easy and fast mounting of EOAT's on collaborative robots. Its main function is to ensure stable and safe mounting when fixing tools to the robot.



- 2 x Tool side & 1 x robot side included
- Twist & Lock system
- Fits most cobot brands (ISO 9409-1-50-4-M6)
- Easy to install



Technical datasheet

Input/Output flange	ISO 9409-1-50-4-M6	
Max. Permissible force	500 N*	
Max. Permissible torque	50 Nm*	
Rated max. payload	10 kg**	22 lbs
Tool side weight	72 g	0.159 lbs
Robot side weight	113 g	0.249 lbs
Combined weight	185 g	0.408 lbs
Combined height	28 mm	1.14 in
Typical tool change	5000 cycles	

*See User Manual section 3.1 for force & torque threshold limits in all directions.

**Typical payload – Do not exceed the Force & torque limits given in Section 3.1 in the manual

Future of Assembly