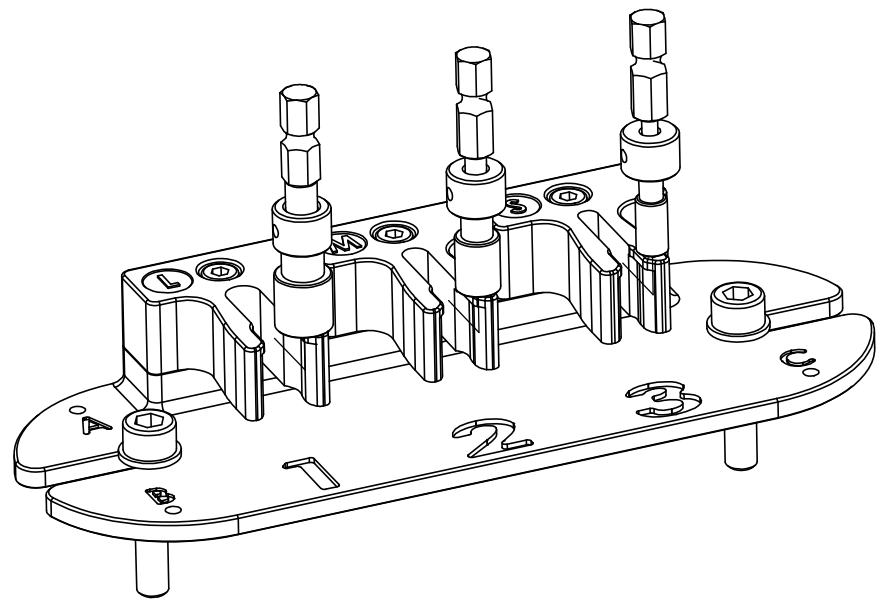
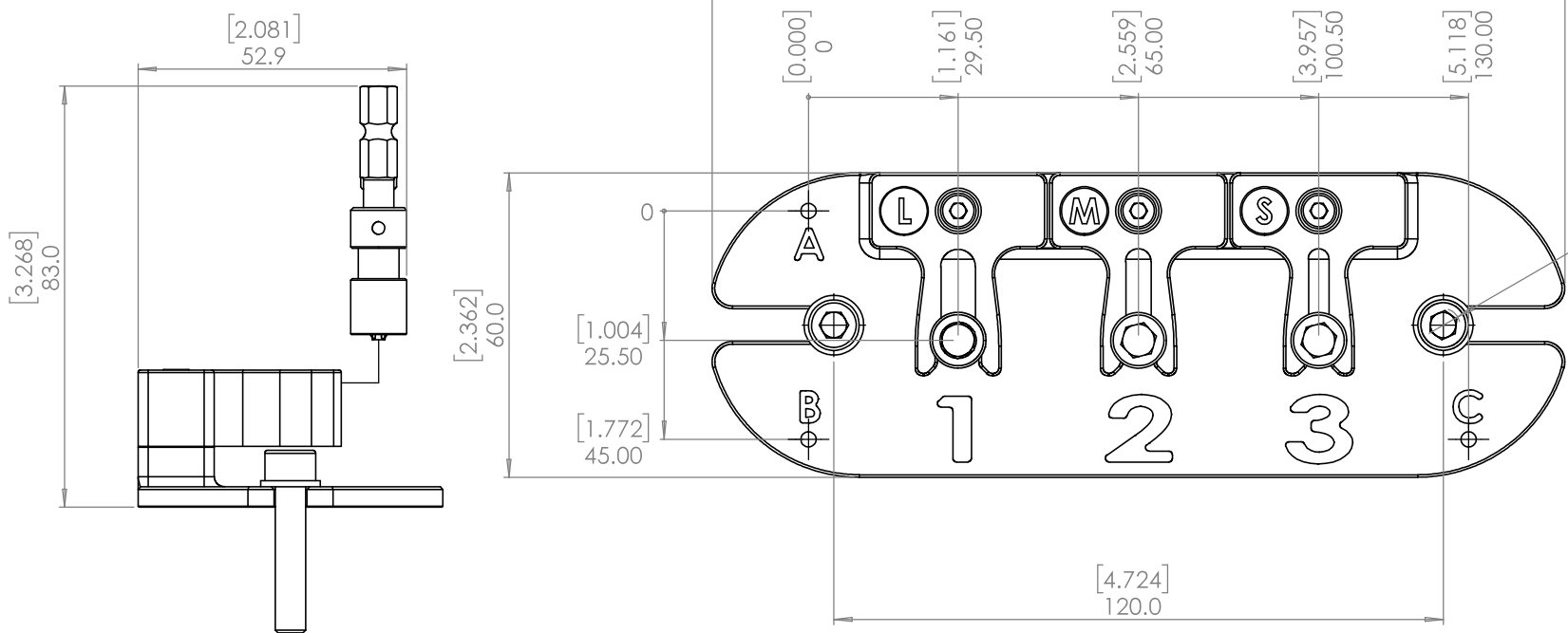


8 7 6 5 4 3 2 1

F
E
D
C
B
A



UNLESS OTHERWISE SPECIFIED:
DIMENSIONS ARE IN MILLIMETERS
TOLERANCES: DIN ISO 2768 mk

	MATERIAL:
SHEET 1 OF 2	SURFACE FINISH:
SCALE:1:1	DESCRIPTION:
REVISION:	DWG NO. 03-00-0006
SHEET FORMAT: A3	
DATE: 14/10/2022	

8 7 6 5 4 3 2 1